

# 1Ø SURFACE TYPE METER SOCKET

120/240 VOLT 3-WIRE 320 AMPERES  
OVERHEAD SERVICE

## 4.02.6

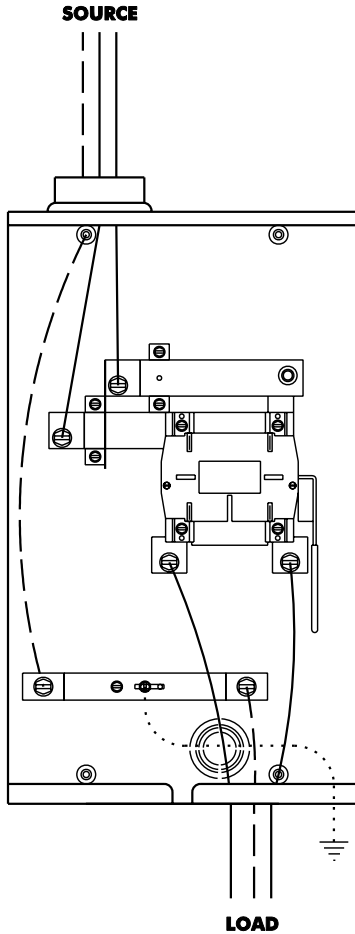
M130  
M130D

### NOTES:

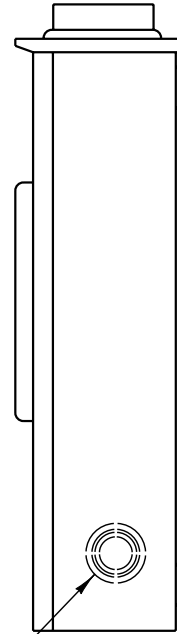
**SOURCE:**  
SINGLE LUG - 350 KCMIL TO 500 KCMIL

**LOAD:**  
SINGLE LUG - 500 KCMIL  
DOUBLE LUG - 250 KCMIL

**METER SOCKET 0000006618  
(BY CUSTOMER)**

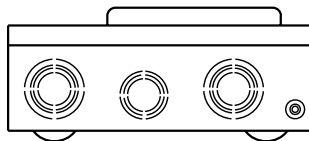


**FRONT VIEW**  
COVER REMOVED



**SIDE VIEW**  
COVER IN PLACE

3 KNOCKOUTS FOR 2" TO 2 1/2"  
CONDUIT IN SIDES AND BACK



**BOTTOM VIEW**

2 KNOCKOUTS FOR 1 1/2" TO 3" CONDUIT  
1 KNOCKOUT FOR 1 1/2" TO 2 1/2" CONDUIT  
1 KNOCKOUT 1/4" & 1/2" EQUIPMENT GROUND

RESID. REFER TO DWG: 6.08.1  
6.09