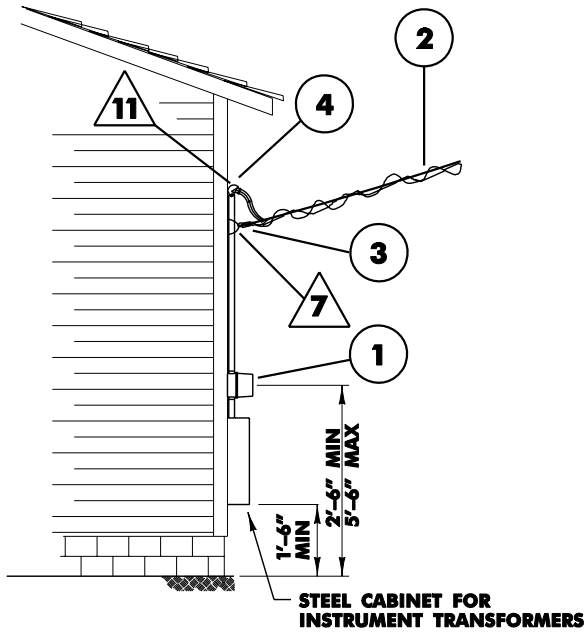
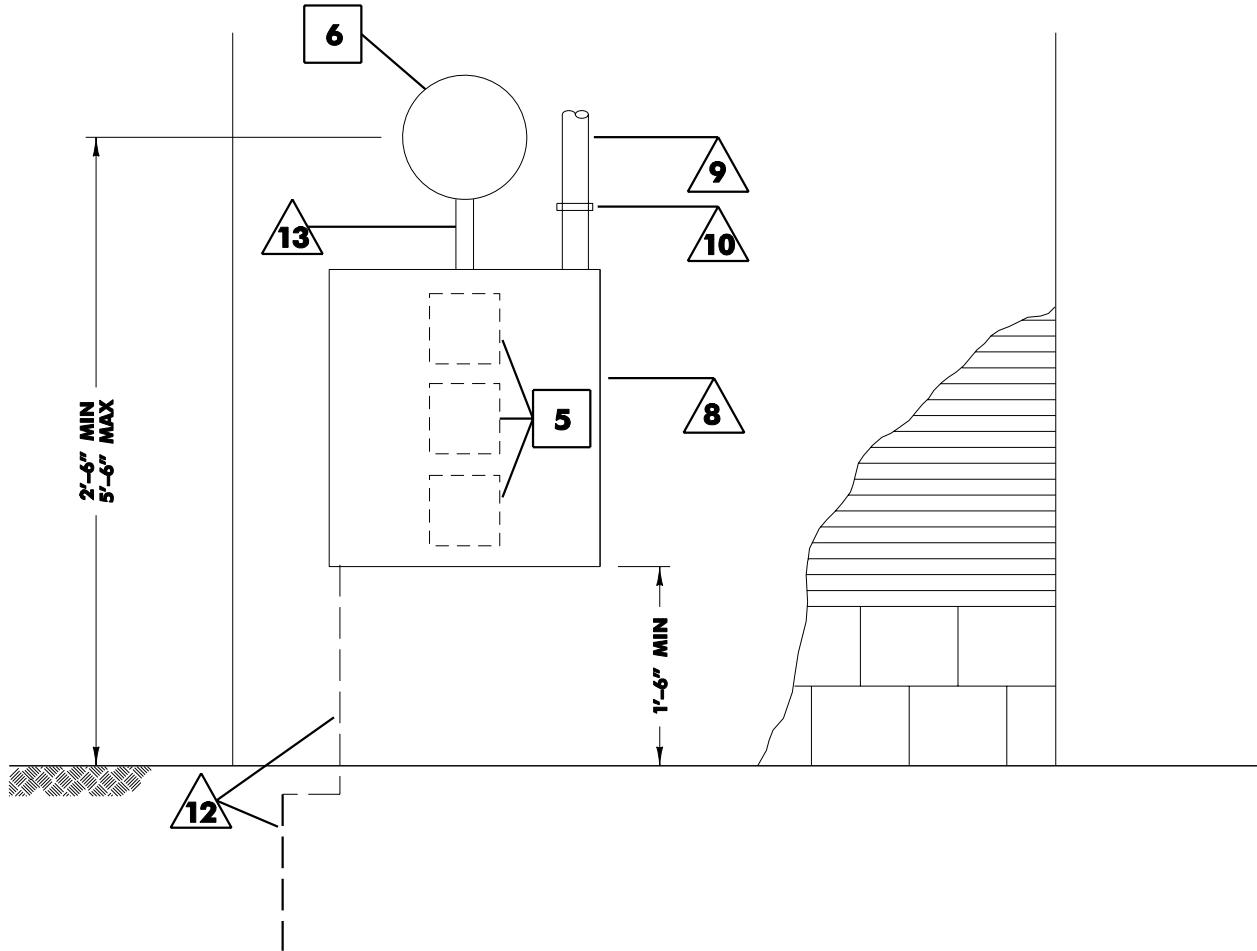


INSTRUMENT TRANSFORMER METERING RESIDENTIAL & GENERAL SERVICE OVERHEAD

6.10



REFER TO DWG: 4.06.3