

FOUR WIRE DELTA SOCKET METERING

CLASS 200 – RATING 200 AMPERES TOTAL PER PHASE ON BALANCED LOAD

4.02.12

FOUR WIRE DELTA COMBINED
BANK TRANSFORMERS
120/240V FROM 1 AND 2
240V 3Ø FROM 1, 2, AND 3

M520
M520D

NOTES:

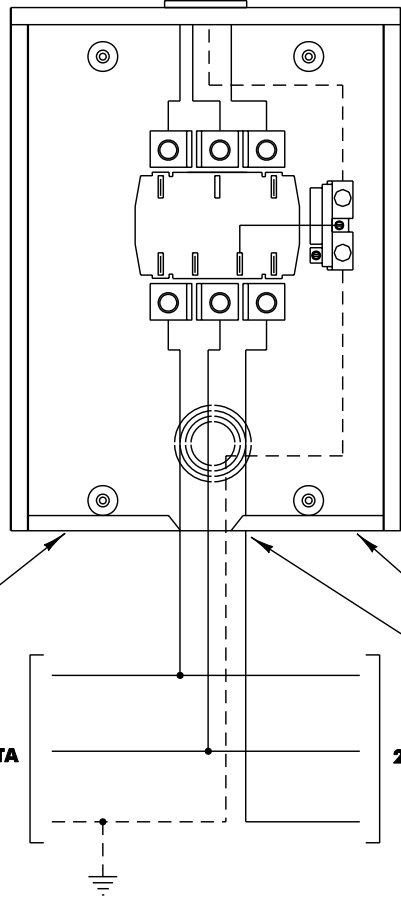
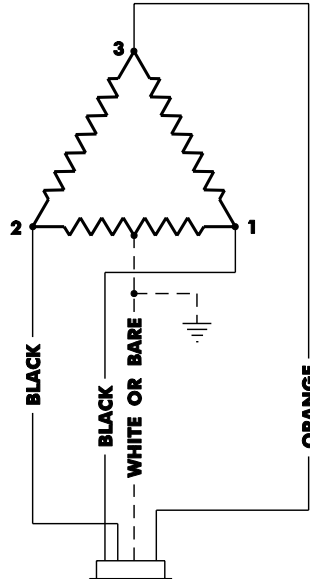
TERMINALS FOR MAXIMUM
350 KCMIL COPPER OR ALUMINUM
CONDUCTOR.

RISER PIPE MUST BE AN EMT,
RIGID CONDUIT OR SCHEDULE
80 PVC.

PVC WEATHER HEAD MUST
BE USED ON PVC RISER.

A GROUND ROD (NEC SUPPLEMENTAL
GROUND) MUST BE INSTALLED NEAR
THE METER SOCKET WITH AN
EQUIPMENT GROUNDING CONDUCTOR
RUNNING FROM THE GROUND
ROD TO THE GROUNDING LUG
PROVIDED IN THE METER SOCKET.

CONTRACTOR MUST USE THE
KNOCKOUTS DESCRIBED BELOW
DO NOT USE ANY OTHER KNOCKOUT
OR DRILL ANY OTHER HOLES IN THE
METER SOCKET. KNOCKOUT
LOCATIONS ON DRAWING ARE
APPROXIMATE AND NOT DRAWN
TO SCALE.



SEVEN TERMINAL SURFACE
SOCKET METER SOCKET
000006614
(BY CUSTOMER)

KNOCKOUTS EACH LOWER
SIDE FOR 1 1/2" TO 3"
CONDUIT

KNOCKOUT IN BOTTOM
FOR 1 1/2" TO 1" CONDUIT

KNOCKOUT IN BOTTOM FOR
1 1/2" TO 3 1/2" CONDUIT

1/4" TO 7/8"
KNOCKOUT IN
BOTTOM

LOAD
1Ø
240V DELTA

LOAD
3Ø
240V DELTA

GRADE OR SUBSTANTIAL
STANDING SURFACE

