

THREE PHASE, 3-WIRE, CLOSED DELTA INSTRUMENT TRANSFORMERS (CT'S & PT'S)

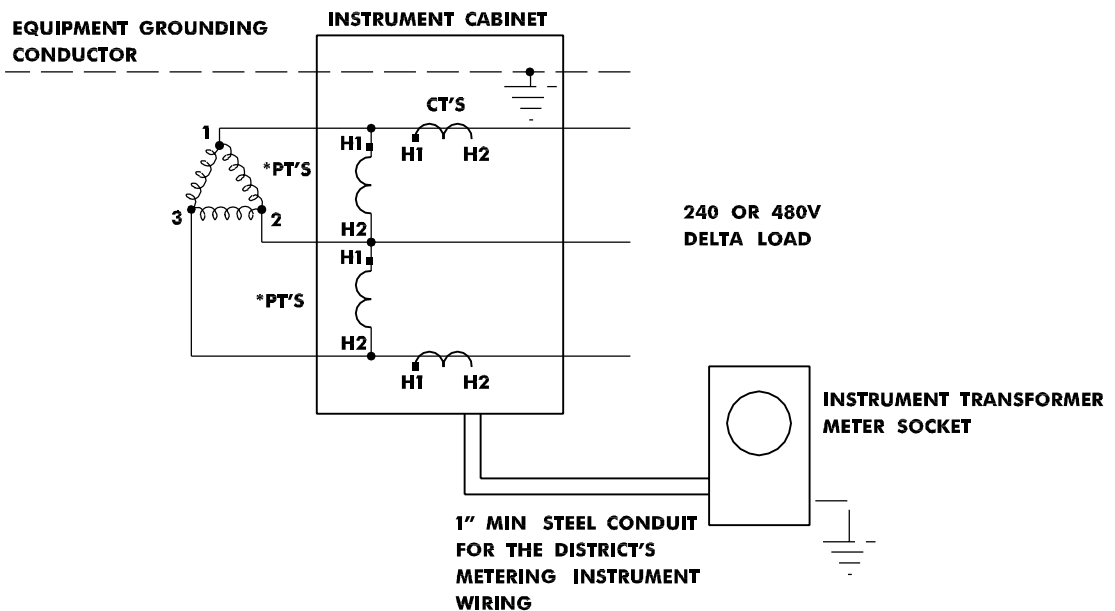
1.07.5

SECTION
1.07G
OVERHEAD
ONLY

240V 3W DELTA

SECTION
1.07I

480V 3W DELTA - NOT FOR NEW CONSTRUCTION



*PT'S WHEN REQUIRED

REFER TO DWGS:

METER DIAGRAMS: 4.06.8
4.06.9
4.06.10
4.06.11

GENERAL SERVICE OVERHEAD: 8.06
GENERAL SERVICE UNDERGROUND: 7.07
METER ON PADMOUNT: 8.08.8